



### APPLICATION:

The safety shower is used for flushing the body from above in case of emergency, allows you to wash harmful substances off the body. The device is made made of polished 304 stainless steel.

Thanks to the use of a strong (thickness of 2 mm) shower head, there is no possibility it cracks, which often happens to plastic ones competition heads - as in the example photo below:



The set includes a safety sign with adhesives for wall mounting. It is installed inside buildings.

### ACTUATING:

The device is activated by pulling down the pull rod. The valve remains open until manually closed.

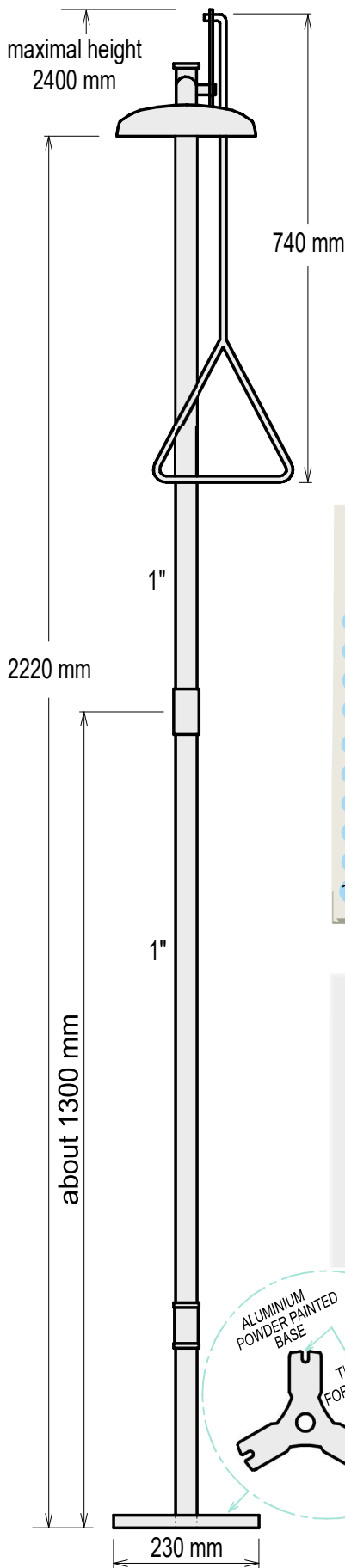
### SUPPLY:

The shower is connected to the water mains in one of two possible places. To a tee at 23 cm or at the top to a vertical pipe. In both cases, there is a one-inch internal thread on the connection. The connection point is selected by changing the place of screwing the plug.

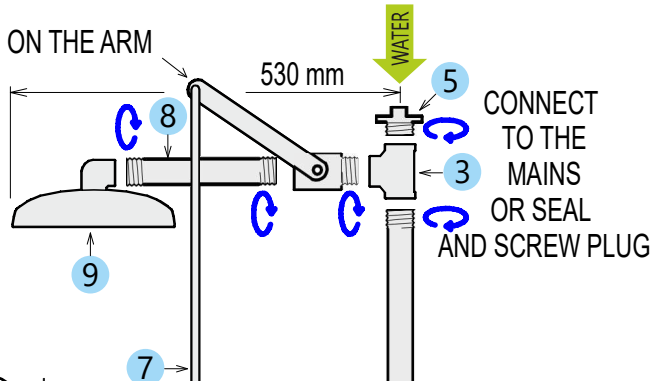
### CERTIFICATES:

The device is certified by the National Institute of Hygiene and has a declaration of conformity confirming it compliance with the European standard PN-EN 15154-1:2006 Body showers connected to the water supply system. Copies of both documents are attached.





CHECK THE PIN ON THE ARM



ACTUATING THE SHOWER  
BY PULLING STAINLESS STEEL PULLING ROD

G62		
number	LIST OF ELEMENTS	
1	Base mtd to the floor	<input type="checkbox"/>
2	Plugged pipe L=300 mm	<input type="checkbox"/>
3	Tee 1"	<input type="checkbox"/>
4	Pipe L=950 mm - 2 pcs.	<input type="checkbox"/>
5	Plug 1" - 1 szt.	<input type="checkbox"/>
6	Muff 1"	<input type="checkbox"/>
7	Valve+arm+pull rod	<input type="checkbox"/>
8	Pipe L=300 mm	<input type="checkbox"/>
9	Shower head	<input type="checkbox"/>
10	Safety sign + docs	<input type="checkbox"/>



### INSTALLATION

1. Check package contents.
2. Prepare thread sealing materials. e.g. tow plumbing flax and paste, in sufficient quantity to seal eight 1" threads.
3. Choose water connection point.
4. Attach safety sign to the shower.

